



**PERFORMANCE DATA SHEET  
NEMA PREMIUM NR CAN NEMA 12 - 12**

Catalogue #: MQOP-62

| HP | kW    | Voltage | S.F. @ 60Hz | EFF.  | P.F. | Frame | Design | L.R. Amps |
|----|-------|---------|-------------|-------|------|-------|--------|-----------|
| 50 | 37,30 | 230/460 | 1,15        | 94,5% | 0,83 | 326T  | B      | 362       |

| 60 Hz |     |     |       |     |     |     |  | Code | F.L. RPM |
|-------|-----|-----|-------|-----|-----|-----|--|------|----------|
| 208   | 230 | 416 | 460   | 480 | 575 | 600 |  |      |          |
| /     | 118 | /   | 59,00 | /   | /   |     |  | G    | 1778     |

| 50 Hz |      |     |             |            |              |      |          |  |
|-------|------|-----|-------------|------------|--------------|------|----------|--|
| FLA   |      |     | S.F. @ 50Hz | Efficiency | Power Factor | Code | F.L. RPM |  |
| 190   | 380  | 415 |             |            |              |      |          |  |
| 143,0 | 71,5 |     | 1,00        | 93,0%      | 0,850        | D    | 1475     |  |

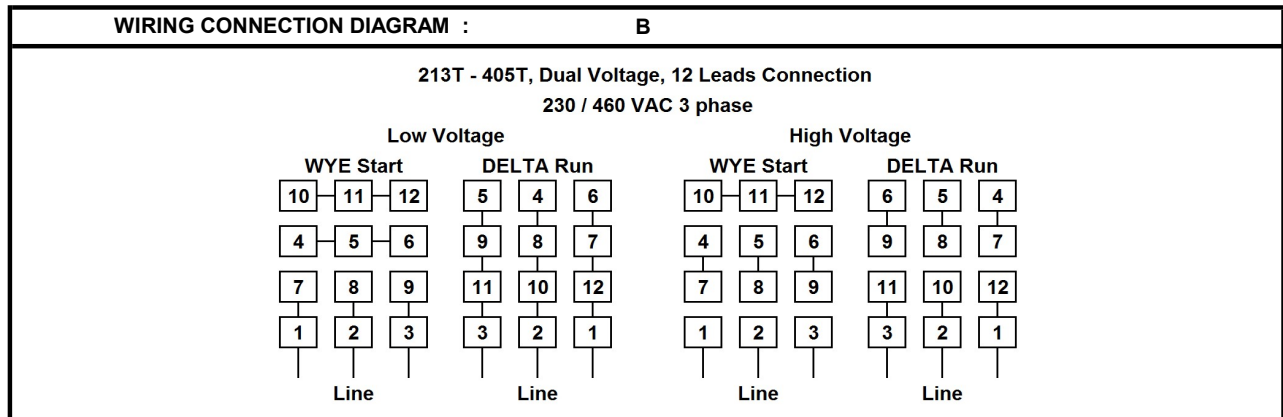
| Wgt. Lbs | PH | Duty  | Insul. Class | Amb. | Elevation        | Temp. Rise° C |
|----------|----|-------|--------------|------|------------------|---------------|
| 594      | 3  | Cont. | F            | 40°C | 1000M (3,300 Ft) | 61            |

| % Efficiency |       | % Power Factor |      | Torque           |       | Winding Resist. Ω | Safe Cold Start (Secs) |
|--------------|-------|----------------|------|------------------|-------|-------------------|------------------------|
| Full Load:   | 94,5% | Full Load:     | 0,83 | Full Load Ft/Lbs | 147,7 |                   |                        |
| 3/4 Load:    | 94,5% | 3/4 Load:      | 0,80 | Locked Rotor %   | 170   |                   |                        |
| 1/2 Load:    | 94,0% | 1/2 Load:      | 0,70 | Break Down %     | 260   | 0,15              | 20                     |

| Rotor Inertia Wk2 Lb-Ft2 | Max Load Inertia Wk2 Lb-Ft2 | Shaft Material | Frame Material | DE Bracket Type | ODE Bracket Type | Enclosure | NEMA Rating | Lead Wire Size |
|--------------------------|-----------------------------|----------------|----------------|-----------------|------------------|-----------|-------------|----------------|
| 7,59                     | 340                         | 1045           | Cast Iron      | Cast Iron       | Cast Iron        | ODP       | IP23        | 8AWG           |

| Ball Bearings |      | Grease          | Mount Type | Orientation | Paint   | Sound Pressure @ 3FT | Sound Power |
|---------------|------|-----------------|------------|-------------|---------|----------------------|-------------|
| DE            | ODE  |                 |            |             |         |                      |             |
| 6312          | 6312 | Mobil PolyrexEm | Rigid      | Horizontal  | RAL6022 | 78                   | 89          |

| Inverter Duty, Motor meets MG1 parts 31.4.4.2 | VFD SF | Constant Torque Range | Variable Torque Range | Constant HP RPM |
|---|--------|-----------------------|-----------------------|-----------------|
|   | 1,00   | 10:1                  | 20:1                  | 2700            |

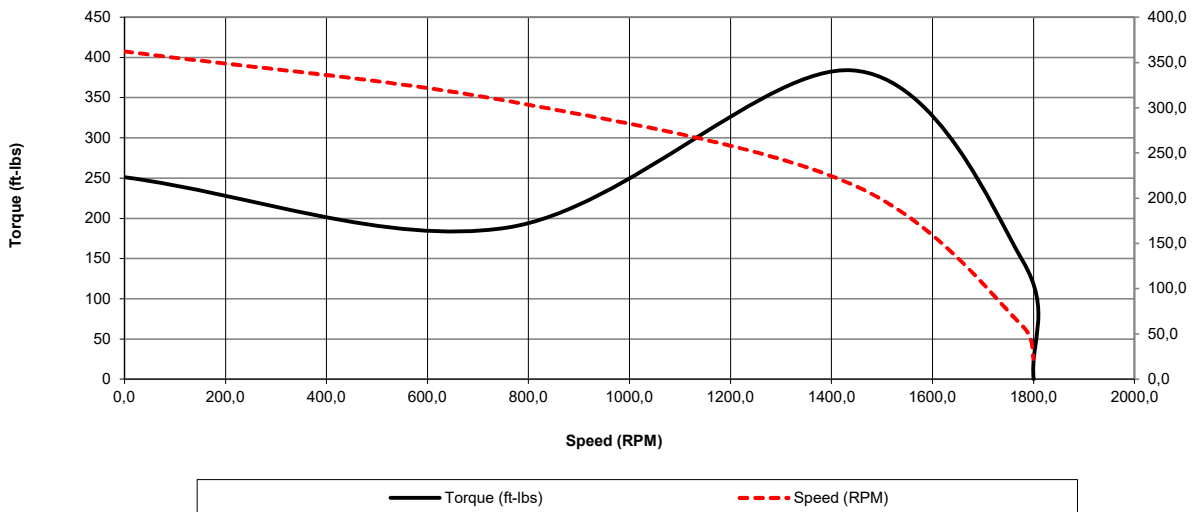


Date: 2023-12-13  
 Customer: \_\_\_\_\_  
 Contact: \_\_\_\_\_  
 Submittee: J.C. Lavallée

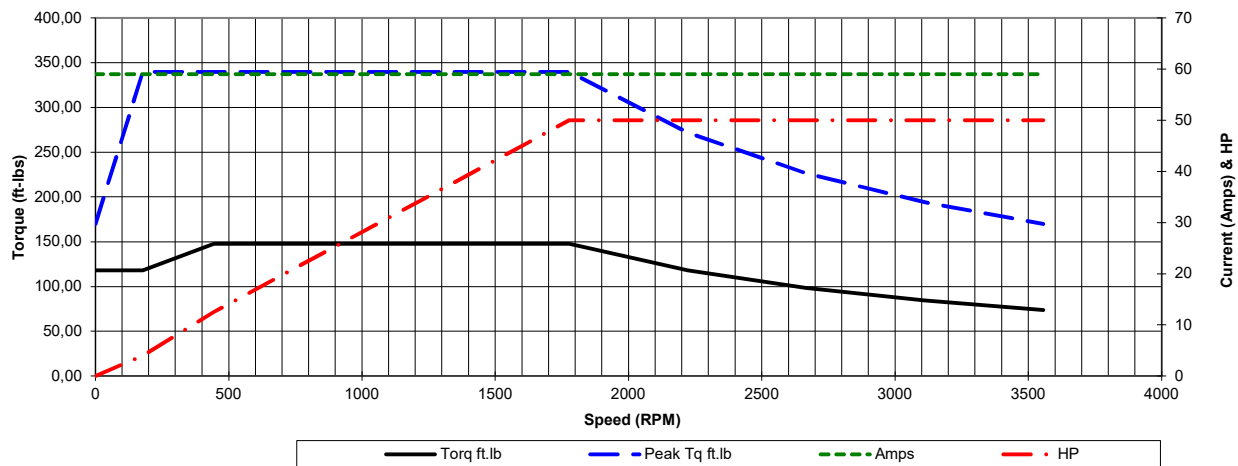
Catalogue #: **MQOP-62**

| NEMA PREMIUM NR CAN NEMA 12 - 12 |              |         |           |            |           |                                      |        |                |                  |               |
|----------------------------------|--------------|---------|-----------|------------|-----------|--------------------------------------|--------|----------------|------------------|---------------|
| HP                               | VAC          | RPM     | Enclosure | Frame      | Frequency | Design                               | Poles  | LR Code Letter | Insulation Class | Temp. Rise °C |
| 50                               | 460          | 1778    | ODP       | 326T       | 60 Hz     | B                                    | 4      | G              | F                | 61            |
|                                  | 0Hz          | 6Hz     | 15Hz      | 30Hz       | 45Hz      | 60 Hz                                | 75Hz   | 90Hz           | 105Hz            | 120Hz         |
| Amps                             | 59           | 59      | 59        | 59         | 59        | 59                                   | 59     | 59             | 59               | 59            |
| RPM                              | 0            | 177,8   | 444,5     | 889        | 1333,5    | 1778                                 | 2222,5 | 2667           | 3111,5           | 3556          |
| Torq ft.lb                       | 118,16       | 118,16  | 147,69    | 147,69     | 147,69    | 147,69                               | 118,16 | 98,46          | 84,40            | 73,85         |
| Peak Tq ft.lb                    | 169,85       | 339,70  | 339,70    | 339,70     | 339,70    | 339,70                               | 271,76 | 226,46         | 194,11           | 169,85        |
| HP                               | 0            | 4,0     | 12,5      | 25,0       | 37,5      | 50,0                                 | 50,0   | 50,0           | 50,0             | 50,0          |
|                                  | Locked Rotor | Pull-Up | Breakdown | Rated Load | Idle      | Duty                                 | S. F.  | Ambient        | Elevation        | dBA @ 1M      |
| Speed (RPM)                      | 0,0          | 756     | 1440      | 1778       | 1800      | Continuous                           | 1,15   | 40°C           | 3,300 ft         | 78            |
| Current (Amps)                   | 362,0        | 307,7   | 215,4     | 59,0       | 22,4      | VFD Rating: Meets MG1 parts 31.4.4.2 |        |                |                  |               |
| Torque (ft-lbs)                  | 251,1        | 188,3   | 384,0     | 147,7      | 0,0       | C.T.                                 | 10:1   | V.T.           | 20:1             | VFD SF 1.00   |

Motor Speed Data



Motor Torque Capability vs RPM

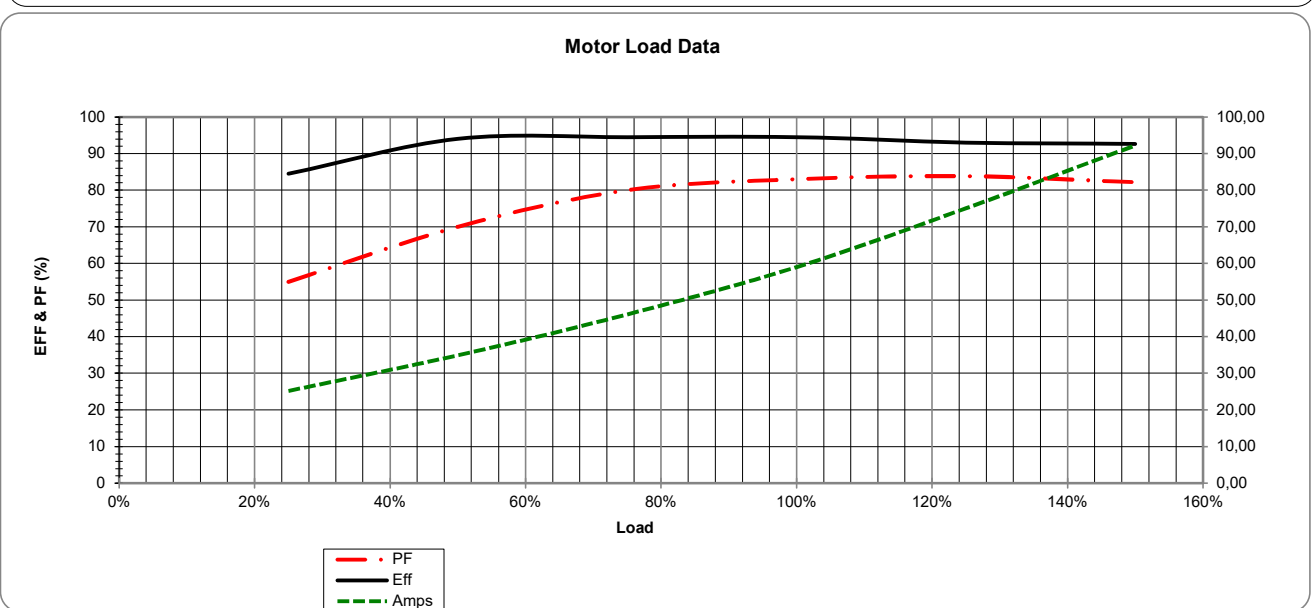
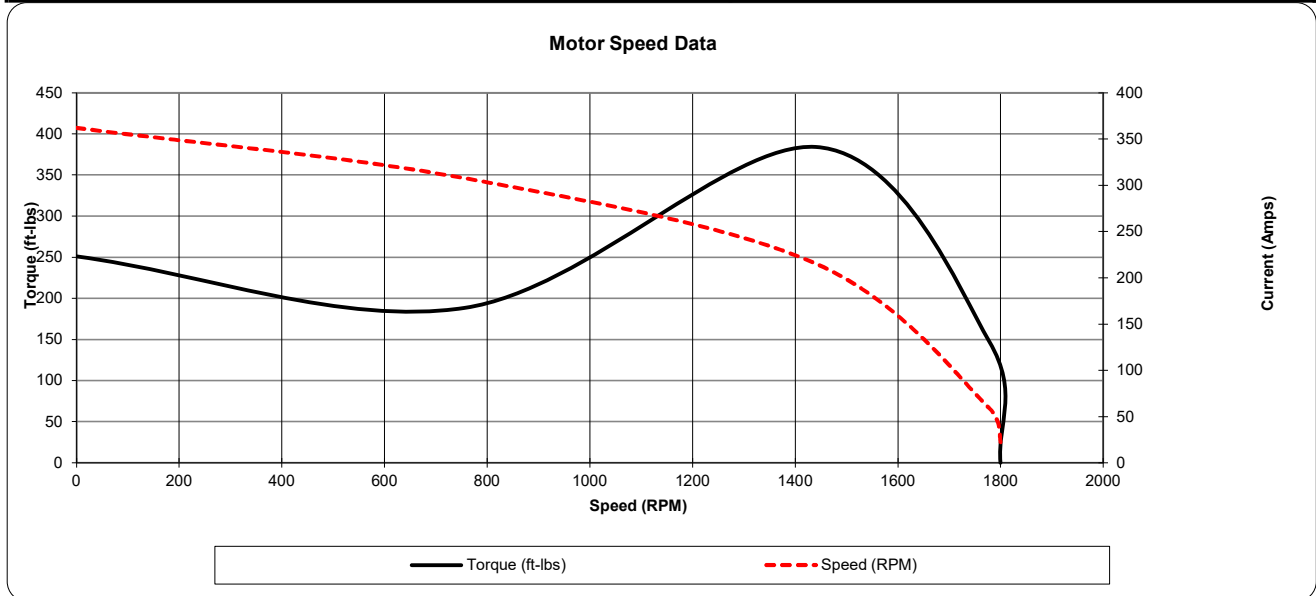


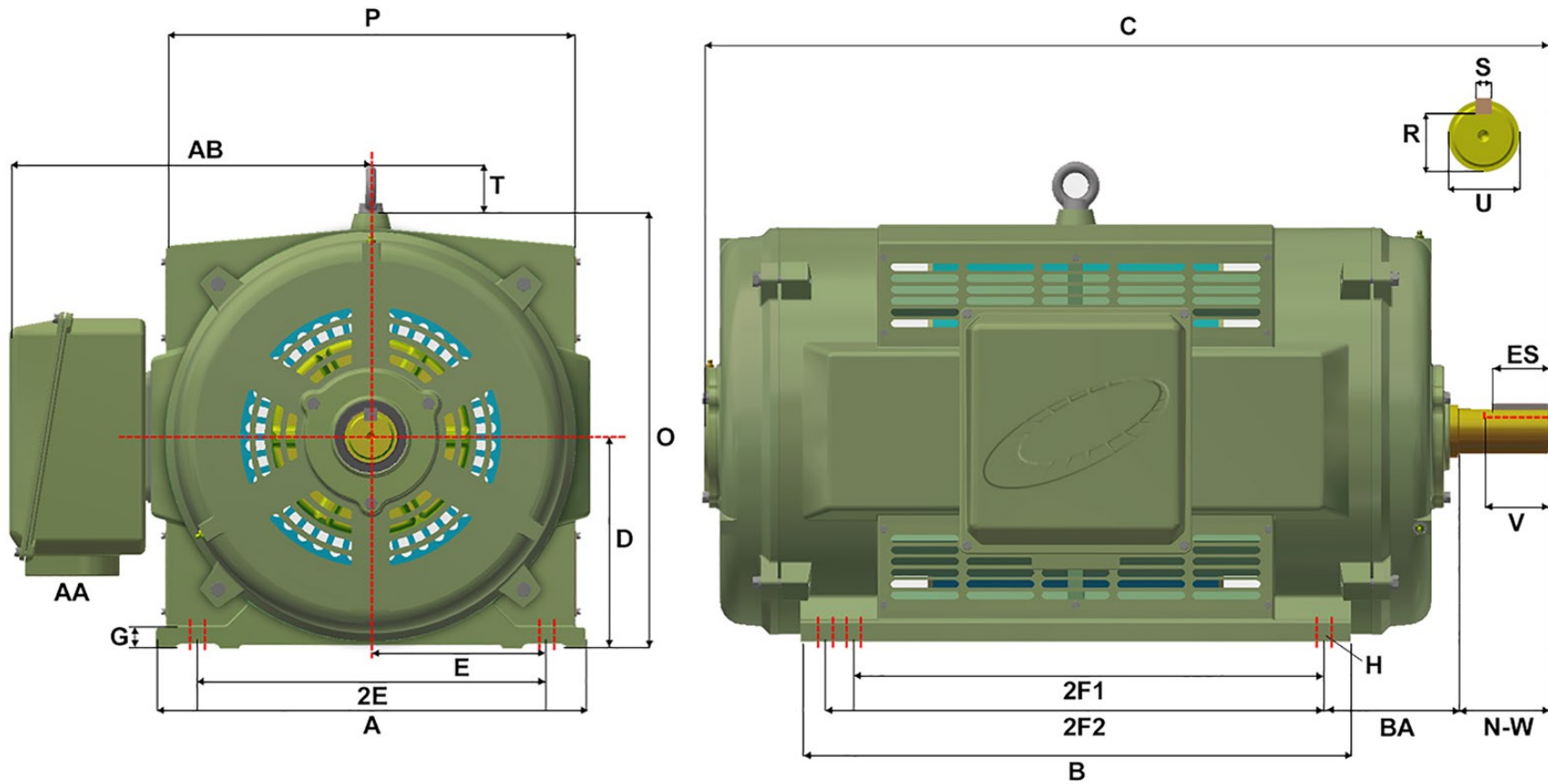


Date: 2023-12-13  
 Customer: \_\_\_\_\_  
 Contact: \_\_\_\_\_  
 Submittee: J.C. Lavallée

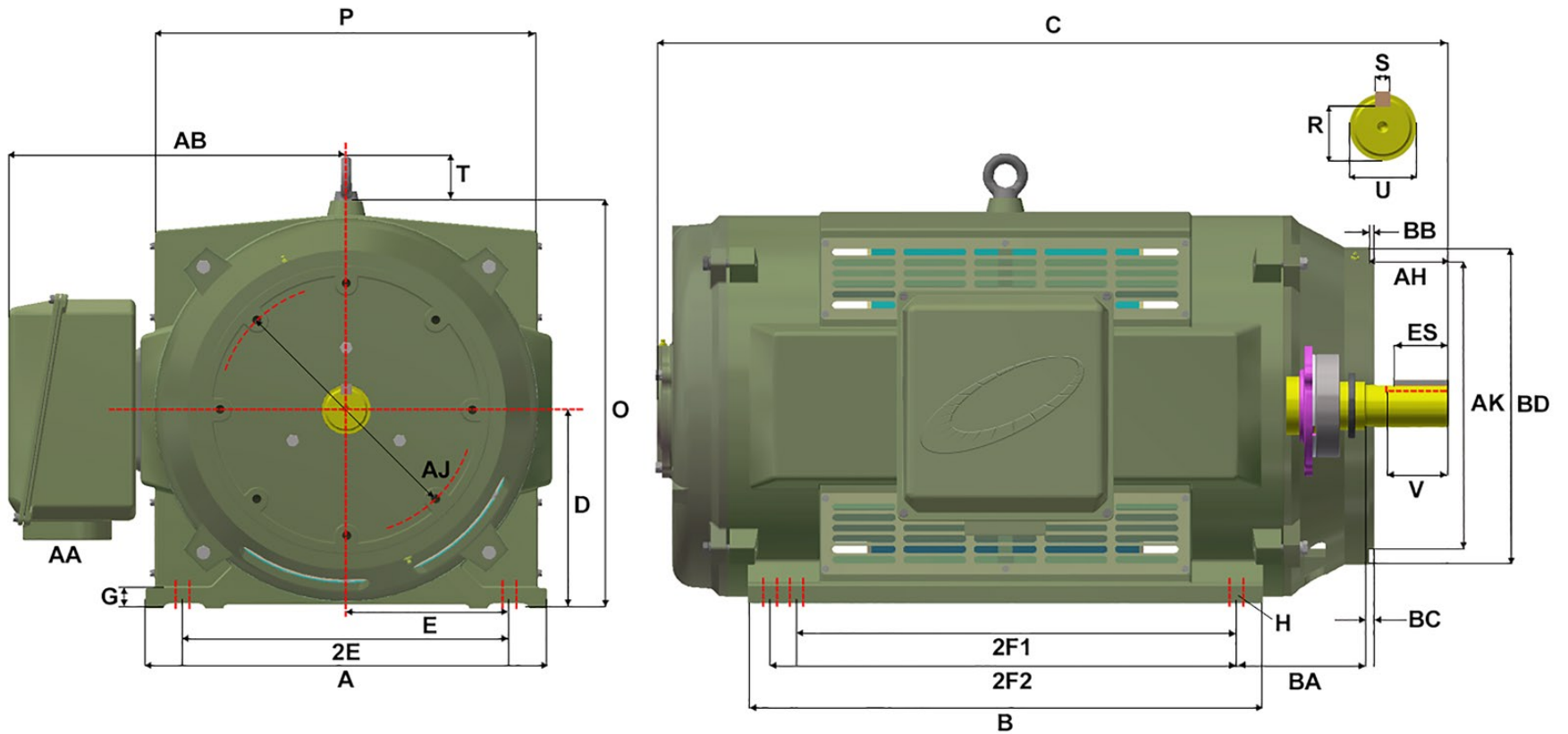
Catalogue #: **MQOP-62**

| NEMA PREMIUM NR CAN NEMA 12 - 12 |                     |                |                  |                   |             |   |              |                |                  |                 |
|----------------------------------|---------------------|----------------|------------------|-------------------|-------------|---|--------------|----------------|------------------|-----------------|
| HP                               | VAC                 | RPM            | Enclosure        | Frame             | Frequency   | Design                                      | Poles        | LR Code Letter | Insulation Class | Temp. Rise °C   |
| 50                               | 460                 | 1778           | ODP              | 326T              | 60 Hz       | B   | 4            | G              | F                | 61              |
| <b>Load %</b>                    | <b>0%</b>           | <b>25%</b>     | <b>50%</b>       | <b>75%</b>        | <b>100%</b> | <b>125%</b>                                 | <b>150%</b>  |                |                  |                 |
| <b>Amps</b>                      | 22,42               | 25,19          | 34,93            | 46,08             | 59,00       | 75,05                                       | 92,24        |                |                  |                 |
| <b>Torq ft/lbs</b>               | 0                   | 36,58          | 73,39            | 110,43            | 147,69      | 185,19                                      | 222,92       |                |                  |                 |
| <b>RPM</b>                       | 0                   | 1794,5         | 1789             | 1783,5            | 1778        | 1772,5                                      | 1767         |                |                  |                 |
| <b>Eff</b>                       | 0                   | 84,47          | 94,00            | 94,50             | 94,50       | 93,01                                       | 92,65        |                |                  |                 |
| <b>PF</b>                        | 0                   | 55             | 70               | 80                | 83          | 83,83                                       | 82,17        |                |                  |                 |
|                                  | <b>Locked Rotor</b> | <b>Pull-Up</b> | <b>Breakdown</b> | <b>Rated Load</b> | <b>Idle</b> | <b>Duty</b>                                 | <b>S. F.</b> | <b>Ambient</b> | <b>Elevation</b> | <b>dBa @ 1M</b> |
| <b>Speed (RPM)</b>               | 0                   | 756            | 1440             | 1778              | 1800        | Continuous                                  | 1,15         | 40°C           | 3,300 ft         | 78              |
| <b>Current (Amps)</b>            | 362                 | 307,7          | 215,4            | 59                | 22,42       | <b>VFD Rating: Meets MG1 parts 31.4.4.2</b> |              |                |                  |                 |
| <b>Torque (ft-lbs)</b>           | 251,08              | 188,31         | 384,00           | 147,69            | 0,0         | C.T.  | 10:1         | V.T.           | 20:1             | VFD SF 1.00     |

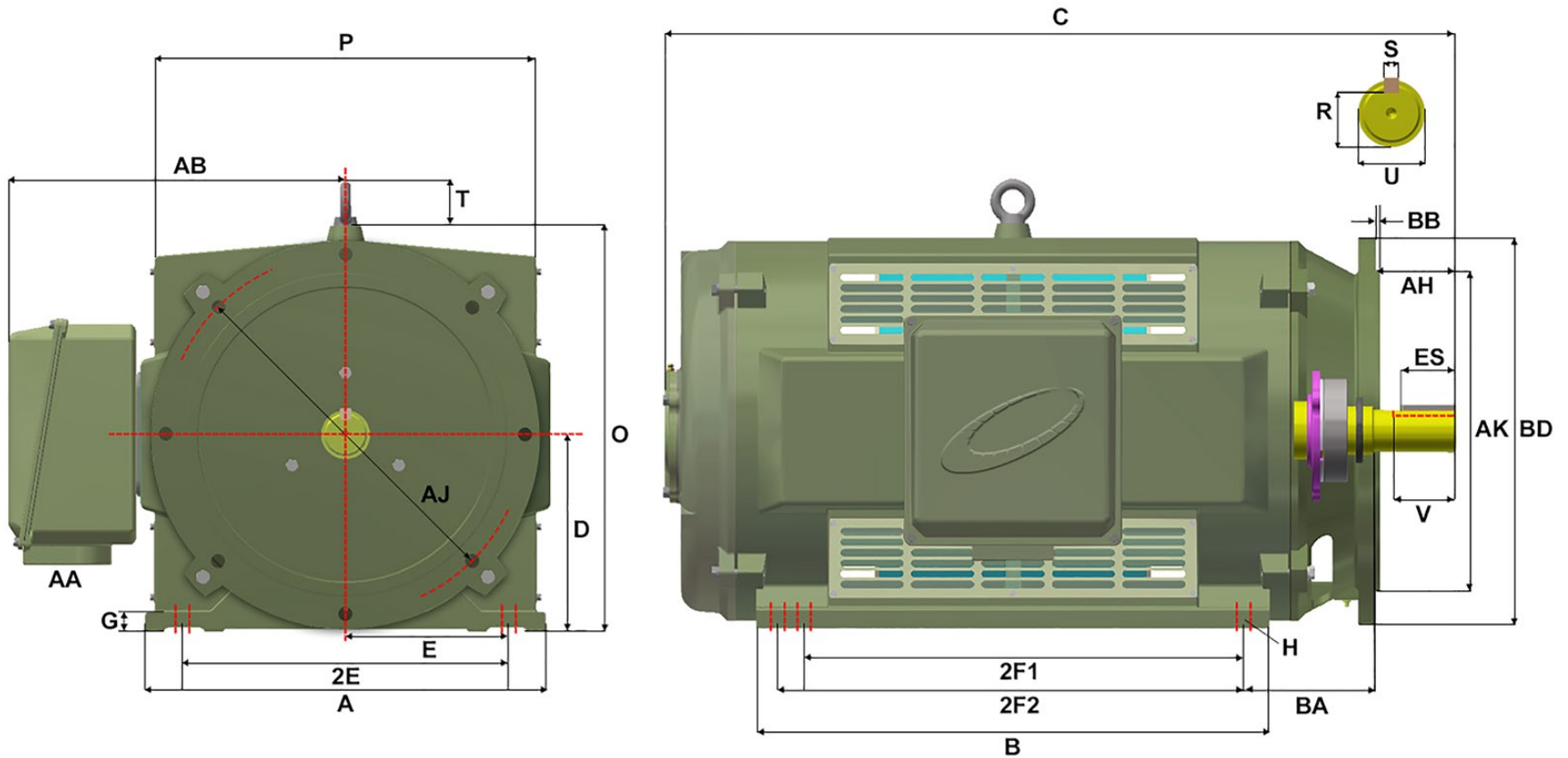




| Version: 2WTI  |       | Revised: 08-10-2019 |      | HP    | RPM   | FRAME | ENCLOSURE | MPOP/MQOP-62 |          |       |       |       |       |
|--|-------|---------------------|------|-------|-------|-------|-----------|--------------|----------|-------|-------|-------|-------|
| Customer is responsible in determining that Max Motion product will fit/perform suitably in the intended application |       |                     |      | 50    | 1800  | 326T  | ODP       |              |          |       |       |       |       |
| A  | B     | C                   | D    | E     | 2E    | 2F1   | 2F2       | G            | H        | O     | P     | R     | S     |
| 14.60  | 13.95 | 27.10               | 8.00 | 6.25  | 12.50 | 10.50 | 12.00     | 0.85         | 6 X 0.66 | 16.10 | 15.35 | 1.845 | 0.500 |
| T  | U     | V                   | AA   | AB    | BA    | ES    | N-W       |              |          |       |       |       |       |
| 2.60   | 2.125 | 5.25                | 2.00 | 11.40 | 5.25  | 3.91  | 5.25      |              |          |       |       |       |       |



| Version: 1WTI  |       | Revised: 05-01-2019 |      | HP    | RPM   | FRAME | ENCLOSURE | MPOP/MQOP-62C |          |       |       |      |      |  |  |  |  |
|--|-------|---------------------|------|-------|-------|-------|-----------|---------------|----------|-------|-------|------|------|--|--|--|--|
| Customer is responsible in determining that Max Motion product will fit/perform suitably in the intended application |       |                     |      |       |       |       |           | 50            | 1800     | 326T  | ODP   |      |      |  |  |  |  |
| A  | B     | C                   | D    | E     | 2E    | 2F1   | 2F2       | G             | H        | O     | P     | R    | S    |  |  |  |  |
| 14,60  | 13,95 | 27,10               | 8,00 | 6,25  | 12,50 | 10,50 | 12,00     | 0,85          | 6 X 0,66 | 16,10 | 15,35 | 1,85 | 0,50 |  |  |  |  |
| T  | U     | V                   | AA   | AB    | AH    | AJ    | AK        | BA            | BB       | BC    | BD    | ES   |      |  |  |  |  |
| 2,60   | 2,13  | 5,25                | 2,00 | 11,40 | 5,00  | 11,00 | 12,50     | 5,25          | 0,25     | 0,25  | 14,00 | 3,91 |      |  |  |  |  |



| Version: 2WTI  |       | Revised: 08-10-2019 |      | HP    | RPM   | FRAME | ENCLOSURE | MPOP/MQOP-62D |          |       |       |       |       |  |  |  |  |
|--|-------|---------------------|------|-------|-------|-------|-----------|---------------|----------|-------|-------|-------|-------|--|--|--|--|
| Customer is responsible in determining that Max Motion product will fit/perform suitably in the intended application |       |                     |      |       |       |       |           | 50            | 1800     | 326T  | ODP   |       |       |  |  |  |  |
| A  | B     | C                   | D    | E     | 2E    | 2F1   | 2F2       | G             | H        | O     | P     | R     | S     |  |  |  |  |
| 14.60  | 13.95 | 27.10               | 8.00 | 6.25  | 12.50 | 10.50 | 12.00     | 0.85          | 6 X 0.66 | 16.10 | 15.35 | 1.845 | 0.500 |  |  |  |  |
| T  | U     | V                   | AA   | AB    | AH    | AJ    | AK        | BA            | BB       | BC    | BD    | ES    |       |  |  |  |  |
| 2.60   | 2.125 | 5.25                | 2.00 | 11.40 | 5.25  | 16.00 | 14.00     | 5.25          | 0.25     | 0.00  | 18.00 | 3.91  |       |  |  |  |  |

## PREMIUM DESIGN B NEMA 12-12

ROLLED STEEL & CAST IRON CONSTRUCTION RIGID BASE

ODP OPEN DRIPROOF

MaxMotion

### Applications:

For general purpose use on compressors, pumps, conveyors, fans, blowers and other machinery in environments that are relatively clean & dry.

### Features:



**Design** - NEMA standard MG-1, Design B meets MG-1 Part 31

**Agency listings and standard** - NEMA, IEEE, CSA, CSAus, IEC, CE, NRCan

**Service Factor** - 1.15

**Electrical Supply** - At 60Hz: 575V and 230/460V dual rated and at 50Hz: 190/380, Frame 445T+ are only 460V or 575V

**Windings** - Highest quality Enamel coated Corona resistant inverter duty magnet wire. VPI with additional dip and bake.

**Insulation** - Non hygroscopic class F with class B temperature rise

**Voltage and frequency variation** - +/- 10% as based on two voltage points of the motor being either 230 / 460 or 333 / 575

**Bearings** - 143T to 215T are shielded bearings, 254T to 449T are regreasable with brass grease nipples and retaining bearing caps. Frame 404T to 449T are with roller bearings.

**Bearing lubricant** - Frame 143T to 215T is lithium grease, -30 Deg C to 100 Deg C amb. Frame 254T+ are long life mobil Polyrex EM, -29 Deg C to 177 Deg C.

**Enclosure Protection** - Open Dripproof, IP Class 23, frame 143T to 215T are rolled steel construction and 254T+ are cast iron frame.

**Conduit Box** - Oversize cast iron, diagonally split. Can be rotated in 90 Deg steps. Lead separator gasket to seal conduit box from frame and gasketed cover. Grounding terminal inside conduit box and threaded conduit entry.

**Inverter duty** - Suitable for inverter application at 230V, 460V, 575V for speed ranges of 10:1 constant torque and 20:1 variable torque.

**Nameplate** - Corrosion resistant stainless steel showing all data connection diagrams and certifications

**Drain plugs** - Located at the lowest point of each end bracket.

**Warranty** - 3 years



**PREMIUM DESIGN B NEMA 12-12**  
**ROLLED STEEL & CAST IRON CONSTRUCTION RIGID BASE**  
 ODP OPEN DRIPROOF



| HP    | FL RPM | VOLTS    | FRAME | CAT NO. | CONSTRUCTION | NOM EFF. | F.L. AMPS | CODE | WT (Lbs) | DE BRG | ODE BRG | "C" Dimension (Inch) |
|-------|--------|----------|-------|---------|--------------|----------|-----------|------|----------|--------|---------|----------------------|
| 1     | 3515   | 230/460  | 143T  | MQOP-1  | Rolled Steel | 77       | 3.2/1.6   | M    | 41       | 6205   | 6205    | 11,2                 |
|       | 3515   | 575      | 143T  | MPOP-1  | Rolled Steel | 77       | 1.3       | M    | 41       | 6205   | 6205    | 11,2                 |
|       | 1755   | 230/460  | 143T  | MQOP-2  | Rolled Steel | 85,5     | 3.2/1.5   | M    | 47       | 6205   | 6205    | 11,2                 |
|       | 1755   | 575      | 145T  | MPOP-2  | Rolled Steel | 85,5     | 1.3       | M    | 47       | 6205   | 6205    | 12                   |
|       | 1170   | 230/460  | 145T  | MQOP-3  | Rolled Steel | 82,5     | 3.4/1.7   | M    | 52       | 6205   | 6205    | 12                   |
|       | 1170   | 575      | 145T  | MPOP-3  | Rolled Steel | 82,5     | 1.4       | M    | 52       | 6205   | 6205    | 12                   |
| 1 1/2 | 3510   | 230/460  | 143T  | MQOP-6  | Rolled Steel | 84       | 4/2       | M    | 46       | 6205   | 6205    | 11,2                 |
|       | 3510   | 575      | 143T  | MPOP-6  | Rolled Steel | 84       | 1.6       | M    | 46       | 6205   | 6205    | 11,2                 |
|       | 1755   | 2230/460 | 145T  | MQOP-7  | Rolled Steel | 86,5     | 4.6/2.3   | M    | 55       | 6205   | 6205    | 12                   |
|       | 1755   | 575      | 145T  | MPOP-7  | Rolled Steel | 86,5     | 1.9       | M    | 55       | 6205   | 6205    | 12                   |
|       | 1175   | 230/460  | 182T  | MQOP-8  | Rolled Steel | 86,5     | 4.8/2.4   | M    | 95       | 6206   | 6206    | 14,1                 |
|       | 1175   | 575      | 182T  | MPOP-8  | Rolled Steel | 86,5     | 1.9       | M    | 95       | 6206   | 6206    | 14,1                 |
| 2     | 3515   | 230/460  | 145T  | MQOP-11 | Rolled Steel | 85,5     | 5.2/2.6   | L    | 52       | 6205   | 6205    | 12                   |
|       | 3515   | 575      | 145T  | MPOP-11 | Rolled Steel | 85,5     | 2.1       | L    | 52       | 6205   | 6205    | 12                   |
|       | 1750   | 230/460  | 145T  | MQOP-12 | Rolled Steel | 86,5     | 6/3       | L    | 56       | 6206   | 6206    | 12                   |
|       | 1750   | 575      | 145T  | MPOP-12 | Rolled Steel | 86,5     | 2.4       | L    | 56       | 6206   | 6206    | 12                   |
|       | 1180   | 230/460  | 184T  | MQOP-13 | Rolled Steel | 87,5     | 6/3       | L    | 103      | 6206   | 6206    | 14,9                 |
|       | 1180   | 575      | 184T  | MPOP-13 | Rolled Steel | 87,5     | 2.4       | L    | 103      | 6206   | 6206    | 14,9                 |
| 3     | 3500   | 230/460  | 145T  | MQOP-16 | Rolled Steel | 85,5     | 7.4/3.7   | K    | 90       | 6205   | 6205    | 12                   |
|       | 3500   | 575      | 145T  | MPOP-16 | Rolled Steel | 85,5     | 3         | K    | 90       | 6205   | 6205    | 12                   |
|       | 1770   | 230/460  | 182T  | MQOP-17 | Rolled Steel | 89,5     | 8.2/4.1   | K    | 97       | 6206   | 6206    | 14,1                 |
|       | 1770   | 575      | 182T  | MPOP-17 | Rolled Steel | 89,5     | 3.3       | K    | 97       | 6206   | 6206    | 14,1                 |
|       | 1180   | 230/460  | 213T  | MQOP-18 | Rolled Steel | 88,5     | 8.6/4.3   | K    | 136      | 6208   | 6208    | 16,54                |
|       | 1180   | 575      | 213T  | MPOP-18 | Rolled Steel | 88,5     | 3.4       | K    | 136      | 6208   | 6208    | 16,54                |
| 5     | 3520   | 230/460  | 184T  | MQOP-21 | Rolled Steel | 86,5     | 12.4/6.2  | J    | 110      | 6206   | 6206    | 14,9                 |
|       | 3520   | 575      | 184T  | MPOP-21 | Rolled Steel | 86,5     | 5         | J    | 110      | 6206   | 6206    | 14,9                 |
|       | 1170   | 230/460  | 184T  | MQOP-22 | Rolled Steel | 89,5     | 13.4/6.7  | J    | 112      | 6206   | 6206    | 14,9                 |
|       | 1170   | 575      | 184T  | MPOP-22 | Rolled Steel | 89,5     | 5.4       | J    | 112      | 6206   | 6206    | 14,9                 |
|       | 1180   | 230/460  | 215T  | MQOP-23 | Rolled Steel | 89,5     | 14/7      | J    | 162      | 6208   | 6208    | 17,52                |
|       | 1180   | 575      | 215T  | MPOP-23 | Rolled Steel | 89,5     | 5.6       | J    | 162      | 6208   | 6208    | 17,52                |
| 7.5   | 3520   | 230/460  | 184T  | MQOP-26 | Rolled Steel | 88,5     | 17.6/8.8  | H    | 145      | 6206   | 6206    | 14,9                 |
|       | 3520   | 575      | 184T  | MPOP-26 | Rolled Steel | 88,5     | 7         | H    | 145      | 6206   | 6206    | 14,9                 |
|       | 1770   | 230/460  | 213T  | MQOP-27 | Rolled Steel | 91       | 19.2/9.6  | H    | 150      | 6208   | 6208    | 16,54                |
|       | 1770   | 575      | 213T  | MPOP-27 | Rolled Steel | 91       | 7.7       | H    | 150      | 6208   | 6208    | 16,54                |
|       | 1175   | 230/460  | 254T  | MQOP-28 | Cast Iron    | 90,2     | 20.8/10.4 | H    | 272      | 6309   | 6309    | 22,15                |
|       | 1175   | 575      | 254T  | MPOP-28 | Cast Iron    | 90,2     | 8.3       | H    | 272      | 6309   | 6309    | 22,15                |
| 10    | 3545   | 230/460  | 215T  | MQOP-31 | Rolled Steel | 89,5     | 25.6/12.8 | H    | 167      | 6208   | 6208    | 17,52                |
|       | 3545   | 575      | 215T  | MPOP-31 | Rolled Steel | 89,5     | 10.2      | H    | 167      | 6208   | 6208    | 17,52                |
|       | 1775   | 230/460  | 215T  | MQOP-32 | Cast Iron    | 91,7     | 26/13     | H    | 167      | 6208   | 6208    | 17,52                |
|       | 1775   | 575      | 215T  | MPOP-32 | Cast Iron    | 91,7     | 10.5      | H    | 167      | 6208   | 6208    | 17,52                |
|       | 1175   | 230/460  | 256T  | MQOP-33 | Cast Iron    | 91,7     | 27/13.5   | H    | 293      | 6309   | 6309    | 22,15                |
|       | 1175   | 575      | 256T  | MPOP-33 | Cast Iron    | 91,7     | 10.8      | H    | 293      | 6309   | 6309    | 22,15                |
| 15    | 3545   | 230/460  | 215T  | MQOP-36 | Rolled Steel | 90,2     | 38/19     | G    | 286      | 6208   | 6208    | 17,52                |
|       | 3545   | 575      | 215T  | MPOP-36 | Rolled Steel | 90,2     | 15.5      | G    | 286      | 6208   | 6208    | 17,52                |
|       | 1765   | 230/460  | 254T  | MQOP-37 | Cast Iron    | 93       | 36/18     | G    | 297      | 6309   | 6309    | 22,15                |
|       | 1765   | 575      | 254T  | MPOP-37 | Cast Iron    | 93       | 14.4      | G    | 297      | 6309   | 6309    | 22,15                |
|       | 1180   | 230/460  | 284T  | MQOP-38 | Cast Iron    | 91,7     | 40/20     | G    | 363      | 6311   | 6311    | 24,8                 |
|       | 1180   | 575      | 284T  | MPOP-38 | Cast Iron    | 91,7     | 16        | G    | 363      | 6311   | 6311    | 24,8                 |
| 20    | 3530   | 230/460  | 254T  | MQOP-41 | Cast Iron    | 91       | 46/23     | G    | 315      | 6309   | 6309    | 22,15                |
|       | 3530   | 575      | 254T  | MPOP-41 | Cast Iron    | 91       | 18.5      | G    | 315      | 6309   | 6309    | 22,15                |
|       | 1765   | 230/460  | 256T  | MQOP-42 | Cast Iron    | 93       | 48/24     | G    | 315      | 6309   | 6309    | 22,15                |
|       | 1765   | 575      | 256T  | MPOP-42 | Cast Iron    | 93       | 19.2      | G    | 315      | 6309   | 6309    | 22,15                |
|       | 1180   | 230/460  | 284T  | MQOP-43 | Cast Iron    | 92,4     | 52/26     | G    | 394      | 6311   | 6311    | 24,8                 |
|       | 1180   | 575      | 284T  | MPOP-43 | Cast Iron    | 92,4     | 21        | G    | 394      | 6311   | 6311    | 24,8                 |
| 25    | 3540   | 230/460  | 256T  | MQOP-46 | Cast Iron    | 91,7     | 57/28.5   | G    | 385      | 6309   | 6309    | 22,15                |
|       | 3540   | 575      | 256T  | MPOP-46 | Cast Iron    | 91,7     | 23        | G    | 385      | 6309   | 6309    | 22,15                |
|       | 1775   | 230/460  | 284T  | MQOP-47 | Cast Iron    | 93,6     | 60/30     | G    | 392      | 6311   | 6311    | 24,8                 |
|       | 1775   | 575      | 284T  | MPOP-47 | Cast Iron    | 93,6     | 24        | G    | 392      | 6311   | 6311    | 24,8                 |
|       | 1185   | 230/460  | 324T  | MQOP-48 | Cast Iron    | 93       | 64/32     | G    | 508      | 6312   | 6312    | 27,1                 |
|       | 1185   | 575      | 324T  | MPOP-48 | Cast Iron    | 93       | 26        | G    | 508      | 6312   | 6312    | 27,1                 |
| 30    | 3545   | 230/460  | 284TS | MQOP-51 | Cast Iron    | 91,7     | 70/35     | G    | 409      | 6311   | 6311    | 23,43                |
|       | 3545   | 575      | 284TS | MPOP-51 | Cast Iron    | 91,7     | 28        | G    | 409      | 6311   | 6311    | 23,43                |
|       | 1775   | 230/460  | 286T  | MQOP-52 | Cast Iron    | 94,1     | 70/35     | G    | 418      | 6311   | 6311    | 24,8                 |
|       | 1775   | 575      | 286T  | MPOP-52 | Cast Iron    | 94,1     | 28        | G    | 418      | 6311   | 6311    | 24,8                 |
|       | 1185   | 230/460  | 326T  | MQOP-53 | Cast Iron    | 93,6     | 76/38     | G    | 537      | 6312   | 6312    | 27,1                 |
|       | 1185   | 575      | 326T  | MPOP-53 | Cast Iron    | 93,6     | 30.5      | G    | 537      | 6312   | 6312    | 27,1                 |





**PREMIUM DESIGN B NEMA 12-12**  
**ROLLED STEEL & CAST IRON CONSTRUCTION RIGID BASE**  
 ODP OPEN DRIPROOF



| HP  | FL RPM | VOLTS   | FRAME | CAT NO.  | CONSTRUCTION | NOM EFF. | F.L. AMPS | CODE | WT (Lbs) | DE BRG | ODE BRG | "C" Dimension (Inch) |
|-----|--------|---------|-------|----------|--------------|----------|-----------|------|----------|--------|---------|----------------------|
| 30  | 3545   | 230/460 | 286TS | MQOP-56  | Cast Iron    | 92,4     | 90/45     | G    | 510      | 6311   | 6311    | 23,43                |
|     | 3545   | 575     | 286TS | MPOP-56  | Cast Iron    | 92,4     | 36        | G    | 510      | 6311   | 6311    | 23,43                |
|     | 1780   | 230/460 | 324T  | MQOP-57  | Cast Iron    | 94,1     | 96/48     | G    | 519      | 6312   | 6312    | 27,1                 |
|     | 1780   | 575     | 324T  | MPOP-57  | Cast Iron    | 94,1     | 38,4      | G    | 519      | 6312   | 6312    | 27,1                 |
|     | 1180   | 230/460 | 364T  | MQOP-58  | Cast Iron    | 94,1     | 100/50    | G    | 697      | 6313   | 6313    | 29,3                 |
|     | 1180   | 575     | 364T  | MPOP-58  | Cast Iron    | 94,1     | 40        | G    | 697      | 6313   | 6313    | 29,3                 |
| 50  | 3545   | 230/460 | 324TS | MQOP-61  | Cast Iron    | 93       | 110/55    | G    | 548      | 6312   | 6312    | 25,6                 |
|     | 3545   | 575     | 324TS | MPOP-61  | Cast Iron    | 93       | 44        | G    | 548      | 6312   | 6312    | 25,6                 |
|     | 1778   | 230/460 | 326T  | MQOP-62  | Cast Iron    | 94,5     | 118/59    | G    | 594      | 6312   | 6312    | 27,1                 |
|     | 1778   | 575     | 326T  | MPOP-62  | Cast Iron    | 94,5     | 48        | G    | 594      | 6312   | 6312    | 27,1                 |
|     | 1185   | 230/460 | 365T  | MQOP-63  | Cast Iron    | 94,1     | 126/63    | G    | 752      | 6313   | 6313    | 29,3                 |
|     | 1185   | 575     | 365T  | MPOP-63  | Cast Iron    | 94,1     | 50        | G    | 752      | 6313   | 6313    | 29,3                 |
| 75  | 3550   | 230/460 | 326TS | MQOP-66  | Cast Iron    | 93,6     | 132/66    | G    | 704      | 6312   | 6312    | 25,6                 |
|     | 3550   | 575     | 326TS | MPOP-66  | Cast Iron    | 93,6     | 52,8      | G    | 704      | 6312   | 6312    | 25,6                 |
|     | 1780   | 230/460 | 364T  | MQOP-67  | Cast Iron    | 95       | 140/70    | G    | 766      | 6313   | 6313    | 29,3                 |
|     | 1780   | 575     | 364T  | MPOP-67  | Cast Iron    | 95       | 56        | G    | 766      | 6313   | 6313    | 29,3                 |
|     | 1190   | 230/460 | 404T  | MQOP-68  | Cast Iron    | 94,5     | 140/70    | G    | 1000     | NU319  | 6318    | 33,3                 |
|     | 1190   | 575     | 404T  | MPOP-68  | Cast Iron    | 94,5     | 56        | G    | 1000     | NU319  | 6318    | 33,3                 |
| 100 | 3565   | 230/460 | 364TS | MQOP-71  | Cast Iron    | 93,6     | 166/83    | G    | 766      | 6313   | 6313    | 27,17                |
|     | 3565   | 575     | 364TS | MPOP-71  | Cast Iron    | 93,6     | 67        | G    | 766      | 6313   | 6313    | 27,17                |
|     | 1780   | 230/460 | 365T  | MQOP-72  | Cast Iron    | 95       | 174/87    | G    | 783      | 6313   | 6313    | 29,3                 |
|     | 1780   | 575     | 365T  | MPOP-72  | Cast Iron    | 95       | 70        | G    | 783      | 6313   | 6313    | 29,3                 |
|     | 1190   | 230/460 | 405T  | MQOP-73  | Cast Iron    | 94,5     | 174/87    | G    | 1120     | NU319  | 6318    | 33,3                 |
|     | 1190   | 575     | 405T  | MPOP-73  | Cast Iron    | 94,5     | 70        | G    | 1120     | NU319  | 6318    | 33,3                 |
| 150 | 3570   | 230/460 | 365TS | MQOP-76  | Cast Iron    | 93,6     | 222/112   | G    | 1040     | 6313   | 6313    | 27,17                |
|     | 3570   | 575     | 365TS | MPOP-76  | Cast Iron    | 93,6     | 90        | G    | 1040     | 6313   | 6313    | 27,17                |
|     | 1785   | 230/460 | 404T  | MQOP-77  | Cast Iron    | 95,4     | 224/112   | G    | 1058     | NU319  | 6318    | 33,3                 |
|     | 1785   | 575     | 404T  | MPOP-77  | Cast Iron    | 95,4     | 90        | G    | 1058     | NU319  | 6318    | 33,3                 |
|     | 1190   | 230/460 | 444T  | MQOP-78  | Cast Iron    | 95       | 234/117   | G    | 1320     | NU319  | 6318    | 39,5                 |
|     | 1190   | 575     | 444T  | MPOP-78  | Cast Iron    | 95       | 94        | G    | 1320     | NU319  | 6318    | 39,5                 |
| 200 | 3575   | 460     | 404TS | MQOP-81  | Cast Iron    | 94,1     | 138       | G    | 1247     | 6314   | 6314    | 33,3                 |
|     | 3575   | 575     | 404TS | MPOP-81  | Cast Iron    | 94,1     | 110       | G    | 1247     | 6314   | 6314    | 33,3                 |
|     | 1785   | 460     | 405T  | MQOP-82  | Cast Iron    | 95,4     | 141       | G    | 1342     | NU319  | 6318    | 33,3                 |
|     | 1785   | 575     | 405T  | MPOP-82  | Cast Iron    | 95,4     | 113       | G    | 1342     | NU319  | 6318    | 33,3                 |
|     | 1190   | 460     | 445T  | MQOP-83  | Cast Iron    | 95       | 146       | G    | 1400     | NU319  | 6318    | 39,5                 |
|     | 1190   | 575     | 445T  | MPOP-83  | Cast Iron    | 95       | 118       | G    | 1400     | NU319  | 6318    | 39,5                 |
| 250 | 3575   | 460     | 405TS | MQOP-86  | Cast Iron    | 94,1     | 166       | G    | 1408     | 6314   | 6314    | 33,3                 |
|     | 3575   | 575     | 405TS | MPOP-86  | Cast Iron    | 94,1     | 132       | G    | 1408     | 6314   | 6314    | 33,3                 |
|     | 1790   | 460     | 444T  | MQOP-87  | Cast Iron    | 95,8     | 167       | G    | 1672     | NU319  | 6318    | 39,5                 |
|     | 1790   | 575     | 444T  | MPOP-87  | Cast Iron    | 95,8     | 134       | G    | 1672     | NU319  | 6318    | 39,5                 |
|     | 1190   | 460     | 447T  | MQOP-88  | Cast Iron    | 95,4     | 173       | G    | 1800     | NU319  | 6318    | 43                   |
|     | 1190   | 575     | 447T  | MPOP-88  | Cast Iron    | 95,4     | 138       | G    | 1800     | NU319  | 6318    | 43                   |
| 300 | 3575   | 460     | 444TS | MQOP-96  | Cast Iron    | 95       | 219       | G    | 1584     | 6314   | 6314    | 34,75                |
|     | 3575   | 575     | 444TS | MPOP-96  | Cast Iron    | 95       | 175       | G    | 1584     | 6314   | 6314    | 34,75                |
|     | 1790   | 460     | 445T  | MQOP-97  | Cast Iron    | 95,8     | 220       | G    | 1782     | NU319  | 6318    | 39,5                 |
|     | 1790   | 575     | 445T  | MPOP-97  | Cast Iron    | 95,8     | 176       | G    | 1782     | NU319  | 6318    | 39,5                 |
|     | 1190   | 460     | 449T  | MQOP-98  | Cast Iron    | 95,4     | 230       | G    | 2100     | NU319  | 6318    | 48                   |
|     | 1190   | 575     | 449T  | MPOP-98  | Cast Iron    | 95,4     | 185       | G    | 2100     | NU319  | 6318    | 48                   |
| 350 | 3575   | 460     | 445TS | MQOP-101 | Cast Iron    | 95       | 270       | G    | 1870     | 6314   | 6314    | 34,75                |
|     | 3575   | 575     | 445TS | MPOP-101 | Cast Iron    | 95       | 216       | G    | 1870     | 6314   | 6314    | 34,75                |
|     | 1790   | 460     | 447T  | MQOP-102 | Cast Iron    | 95,8     | 280       | G    | 2150     | NU319  | 6318    | 43                   |
|     | 1790   | 575     | 447T  | MPOP-102 | Cast Iron    | 95,8     | 224       | G    | 2150     | NU319  | 6318    | 43                   |
| 400 | 3580   | 460     | 447TS | MQOP-106 | Cast Iron    | 95,4     | 322       | G    | 2002     | 6314   | 6314    | 38,25                |
|     | 3580   | 575     | 447TS | MPOP-106 | Cast Iron    | 95,4     | 258       | G    | 2002     | 6314   | 6314    | 38,25                |
|     | 1790   | 460     | 449T  | MQOP-107 | Cast Iron    | 95,8     | 335       | G    | 2220     | NU319  | 6318    | 48                   |
|     | 1790   | 575     | 449T  | MPOP-107 | Cast Iron    | 95,8     | 260       | G    | 2220     | NU319  | 6318    | 48                   |
| 450 | 3580   | 460     | 449TS | MQOP-111 | Cast Iron    | 95,4     | 373       | G    | 2400     | 6314   | 6314    | 43,25                |
|     | 3580   | 575     | 449TS | MPOP-111 | Cast Iron    | 95,4     | 299       | G    | 2400     | 6314   | 6314    | 43,25                |

